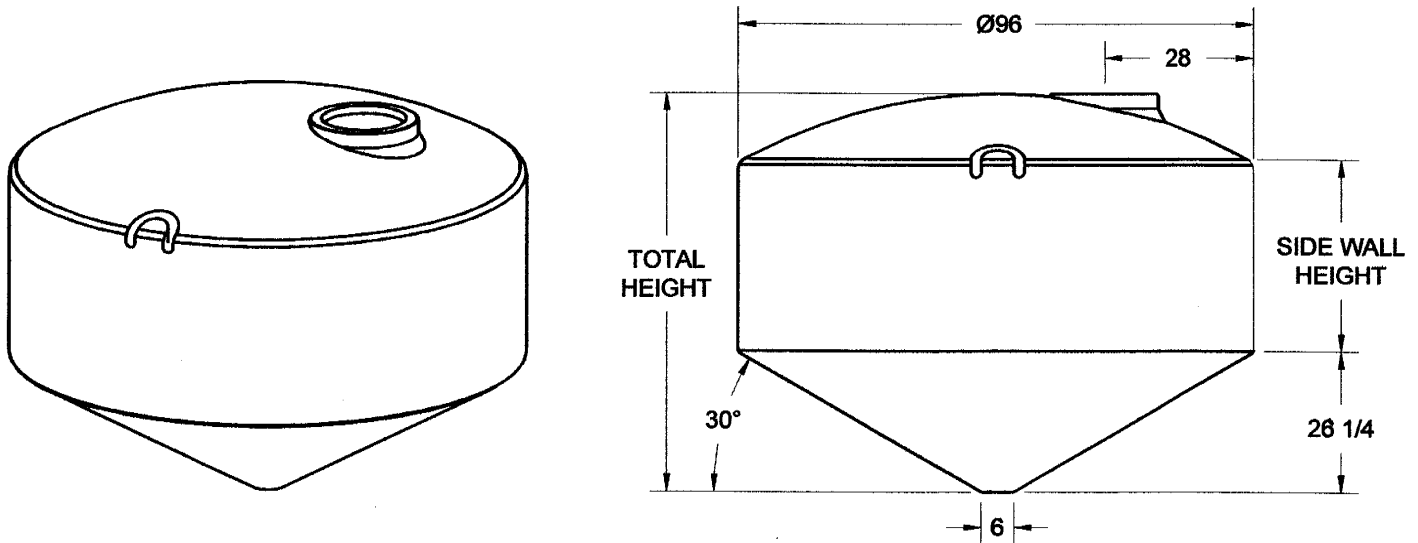




QUALITY MOLDED PLASTICS LTD.

Group Box 280 RR#4 • 71 St. Rd. & Highway 16 W • Saskatoon, SK S7K 3J7 • Phone: (306) 242-4494. Fax: (306) 242-4122

# 30 DEGREE CONE BOTTOM TANK



FRONT VIEW

VOLUME				DIMENSIONS	
IMP. GAL	US GAL.	LITERS	BUSHELS	TOTAL	SIDE WALL
1300	1561	5910	168	74"	35"
1600	1922	7274	206	86"	47"
1850	2222	8410	239	97"	58"
2150	2582	9774	277	109"	70"
2640	3171	12002	341	127"	88"

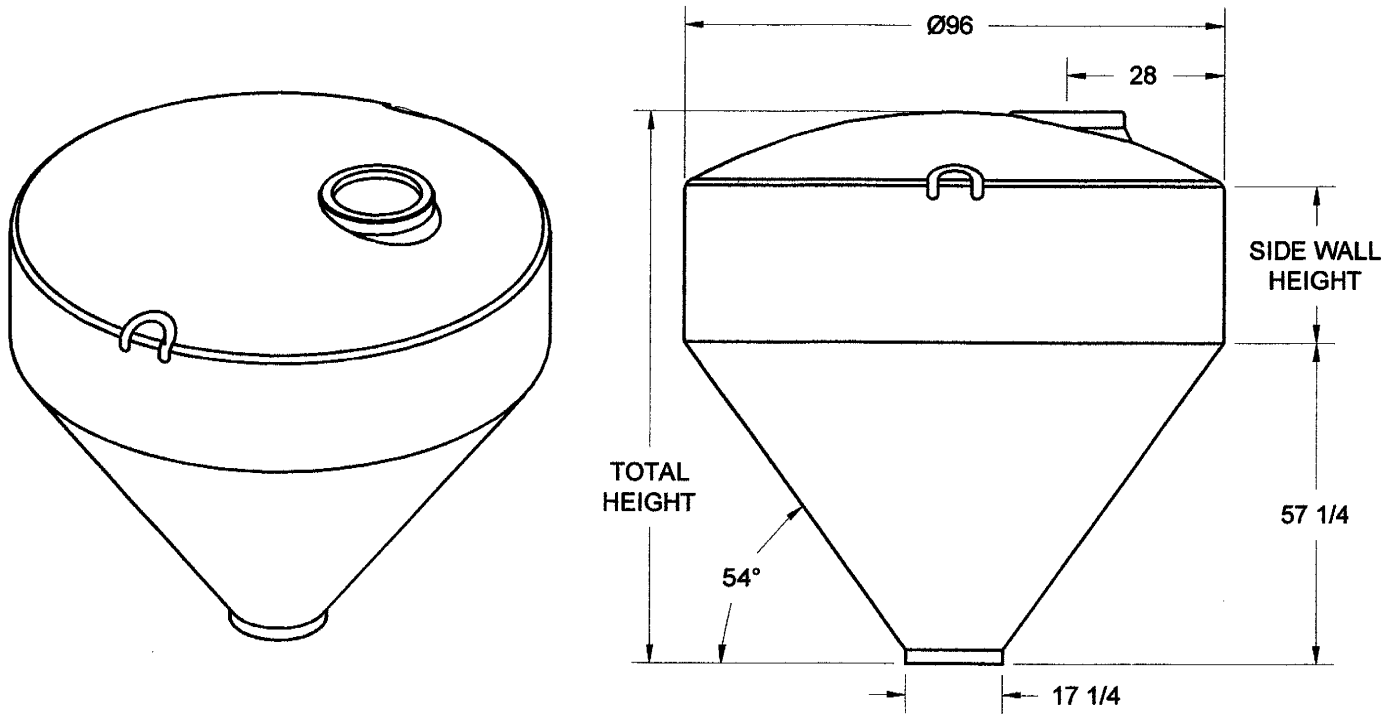
- ✓ Linear low density (.938), UV protected, food safe, polyethylene material in natural white; custom colors and materials available in quantity orders
- ✓ 16" Lid opening
- ✓ Molded in mount strap hooks
- ✓ Plumbing can be added



**QUALITY MOLDED PLASTICS LTD.**

Group Box 280 RR#4 \* 71 St. Rd. & Highway 16 W \* Saskatoon, SK S7K 3J7 \* Phone: (306) 242-4494. Fax: (306) 242-4122

# 54 DEGREE CONE BOTTOM TANK



**FRONT VIEW**

VOLUME				DIMENSIONS	
IMP. GAL	US GAL.	LITERS	BUSHEL	TOTAL	SIDE WALL
1450	1741	6592	187	99"	28"
1750	2102	7956	226	111"	40"
2200	2642	10000	284	128"	57"

- ✓ Linear low density (.938), UV protected, food safe, polyethylene material in natural white; custom colors and materials available in quantity orders
- ✓ 16" Lid opening
- ✓ Molded in mount strap hooks
- ✓ Plumbing can be added